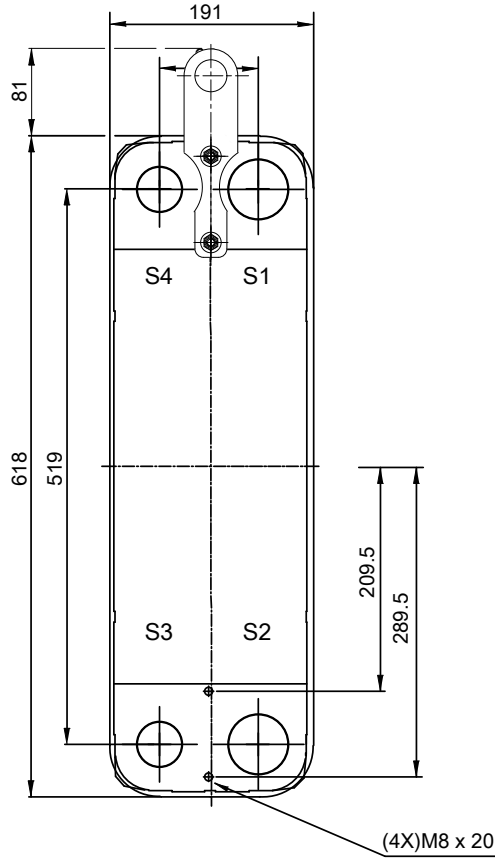
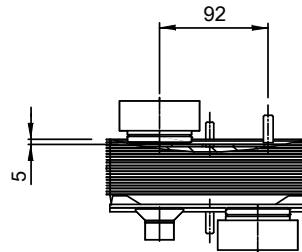
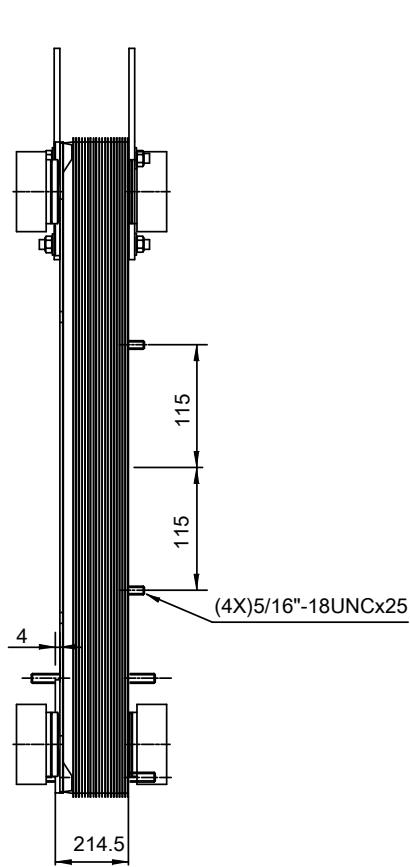
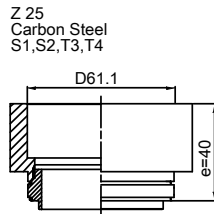
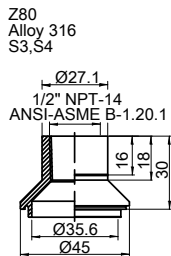


Note that all unique customer requirements (i.e tolerance) need to be verified thru Alfa Laval.



HEATING SURFACE  
 NETWEIGHT 53.3 kg  
 OPERATING WEIGHT  
 PLATE MATERIAL Alloy 316  
 PLATE GROUPING 1\*34H/1\*35H

ALL DIMENSIONS IN MILLIMETERS

SIDE	MEDIA	INLET	TEMP.	OUTLET	TEMP.	FLOW RATE	PRESSURE DROP	LIQUID VOL.
1								8.5 dm <sup>3</sup>
2								8.75 dm <sup>3</sup>



PRESSURE VESSEL APPROVAL ASME 302 degr F/CRN  
 AlfaNova HP 76-70H W65 ASME (3287131346)

www.alfalaval.com

CUSTOMER NAME / REF. NO.

TOTAL LENGTH 285.5 mm  
 TOTAL WIDTH 191.0 mm  
 TOTAL HEIGHT 699.0 mm

COMPANY / REF.

6/27/2017  
 REV 0